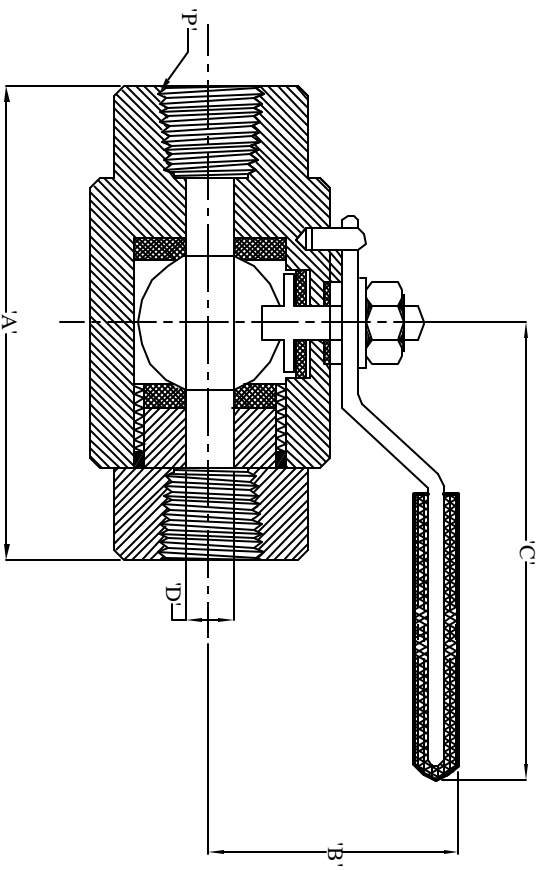


<b>DESCRIPTION</b>	: High pressure rating two piece body full port ball valve
<b>CONNECTIONS</b>	: Threaded NPT conforming to ASME B1.20.1
<b>BODY</b>	: Machined from 316L Bar Stock
<b>BALL</b>	: Machined to close tolerances from 316 L material
<b>RETAINER</b>	: 316 SS
<b>BALL SEAT</b>	: PTFE
<b>BODY SEAL</b>	: PTFE
<b>STEM</b>	: 316 SS
<b>HANDLE</b>	: 304 SS With PVC sleeve
<b>PRESSURE RATING</b>	: 2,000 Psi
<b>TEMPERATURE LIMIT</b>	: 250 deg F
<b>SIZES</b>	: 1/4" , 3/8" , 1/2" , 3/4" , 1"
<b>TEST PRESSURES</b>	: Body : 2,500psi Seat and gland : 2,000psi
<b>OPTIONS</b>	: Material of construction conforming to NACE MR-01-75 Brass Body BSP Threads
<b>AURA DRAWING REF.</b>	: ABV-2P-STD-001

REV.	REASON FOR ISSUE	DATE	DRN.	CHKD.
0.00	REL FOR MANU.	12.8.05	D.K.D	G.G.A



**PART NO. BUILD UP**

ABV: AURA BALL VALVE	SIZE 'P'	'A'	'B'	'C'	'D'
2P: TWO PIECE	1/4"	2.36	1.97	3.94	0.46
XX: SIZE,04=1/4 , 06=3/8 ,08=1/2"	3/8"	2.36	1.97	3.94	0.50
12=3/4"	1/2"	2.56	1.97	3.94	0.59
XXX: MATERIAL ,316 L,BRASS	3/4"	3.07	2.36	4.92	0.79
TD: THREADED ENDS , NPT(F)	1"	3.54	2.76	6.30	0.98

ALL DIMENSIONS ARE IN INCHES.

**PROJECT/CLIENT**

**TITLE**

TWO PIECE FULL PORT  
BALL VALVE

**Aura Inc.**

D11/3,OKHALA IND. AREA,  
PHASE II, NEW DELHI

INDIA.

www.aurainc.com

NOTE: ALL DIMENSIONS ARE SUBJECT TO CHANGE WITHOUT ANY PRIOR NOTICE. TO BE USED FOR REFERENCE ONLY.

This drawing is the property of Aura Inc.  
Unauthorized reproduction is prohibited.

DRG NO :ABV -2P - STD - 001