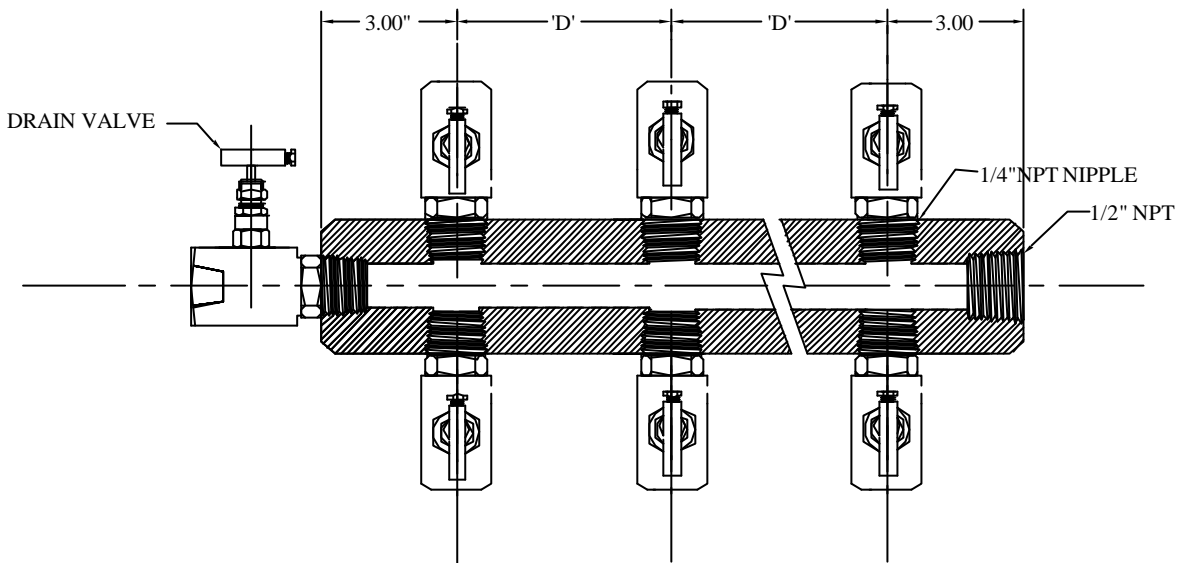


REV.	REASON FOR ISSUE	DATE	DRN.	CHKD.
0.00	PRELIM.REL.	21.07.04	D.K.D.	G.G.A
1.00	REL. FOR MANU.	12.09.04	D.K.D.	G.G.A



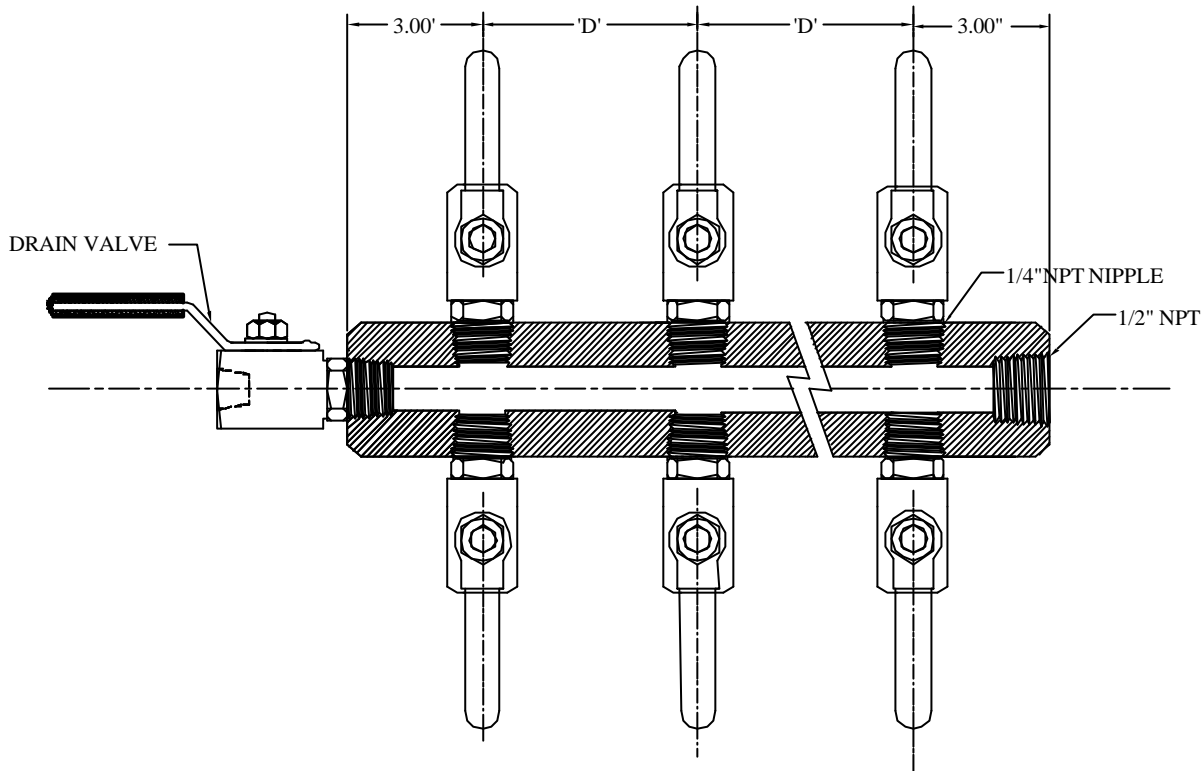
SIZE	VALVE DIST. 'D'
1/4" NPT	2.75
1/2" NPT	3.5

PART NO. BUILD UP
AADMNV: AURA AIR DISTRIBUTION MANIFOLD
XX: VALVE SIZE ,04 = 1/4" , 08 = 1/2"
XX: NO. OF WAYS , 06= SIX , 10=TEN , 14= FORTEEN
XX: MATERIAL, CS= CARBON STEEL,SS=304SS
TYPICAL P/N. AADM-NV-04-06-316SS

ALL DIMENSIONS ARE IN INCHES.

PROJECT/CLIENT	<p>Aura Inc. D11/3,OKHALA IND. AREA, PHASE II, NEW DELHI INDIA. www.aurainc.com</p>
TITLE	
AIR DISTRIBUTION MANIFOLD NEEDLE VALVE	
This drawing is the property of Aura Inc. Unauthorised reproduction is prohibited.	
DRG NO : AADM -NV - STD - 001	

REV.	REASON FOR ISSUE	DATE	DRN.	CHKD.
0.00	PRELIM.REL.	21.07.04	D.K.D.	G.G.A
1.00	REL. FOR MANU.	12.09.04	D.K.D.	G.G.A



SIZE	VALVE DIST. 'D'
1/4" NPT	2.75
1/2" NPT	3.5

PART NO. BUILD UP
AADMBV: AURA AIR DISTRIBUTION MANIFOLD
XX: VALVE SIZE ,04 = 1/4" , 08 = 1/2"
XX: NO. OF WAYS , 06= SIX , 10=TEN , 14= FORTEEN
XX:MATERIAL,CS= CARBON STEEL,SS= 304SS
TYPICAL P/N. AADM-BV-04-06-SS

ALL DIMENSIONS ARE IN INCHES.

PROJECT/CLIENT	<p>Aura Inc. D11/3,OKHALA IND. AREA, PHASE II, NEW DELHI INDIA. www.aurainc.com</p>
TITLE	
AIR DISTRIBUTION MANIFOLD BALL VALVE	
This drawing is the property of Aura Inc. Unauthorised reproduction is prohibited.	
DRG NO : AADM - BV - STD - 001	